

StreamUnlimited
We connect your products.

TITLE		CD-100 II		SERVO PART	
SIZE	PAGE TITLE			REV	
A3				0	
SCALE	SHEET	1 of 6		5-20-2009 10:31	

SIGNAL NAMES FOR VERSIONS 10/40

STUFFING VERSIONS: see Sheet 6

DRAWN BY
G. KLUSACEK

6

5

4

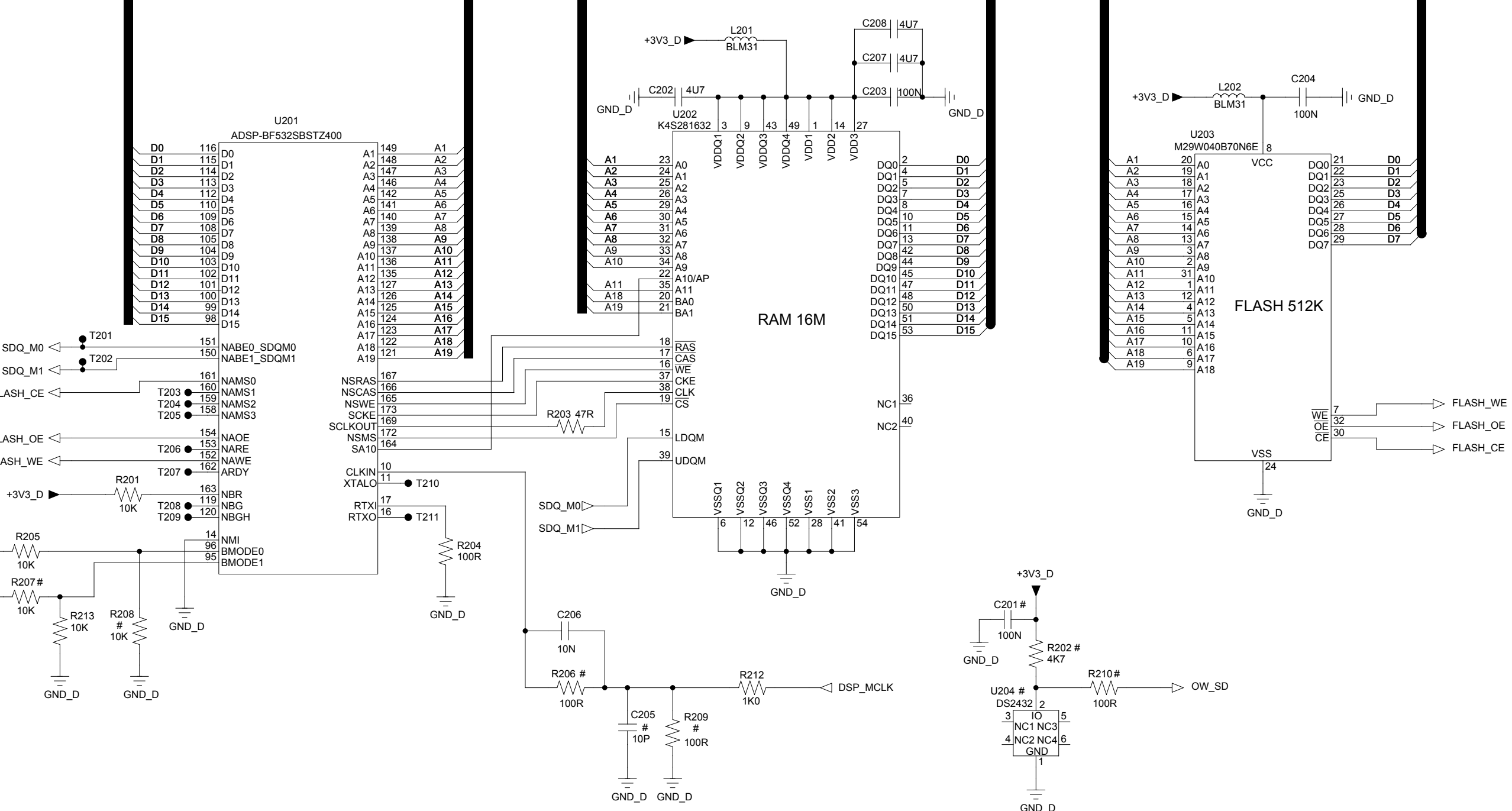
3

2

1

A[1:19]

D[0:15]



L2 FINAL 2009-05-20

... NOT STUFFED

StreamUnlimited
We connect your products.

TITLE
CD-100 II

MEMORY PART

SIZE A3	PAGE TITLE	REV 0
DRAWN BY G. KLUSACEK		SCALE
SHEET 2		of 6
6-2-2009 16:00		

D

C

B

A

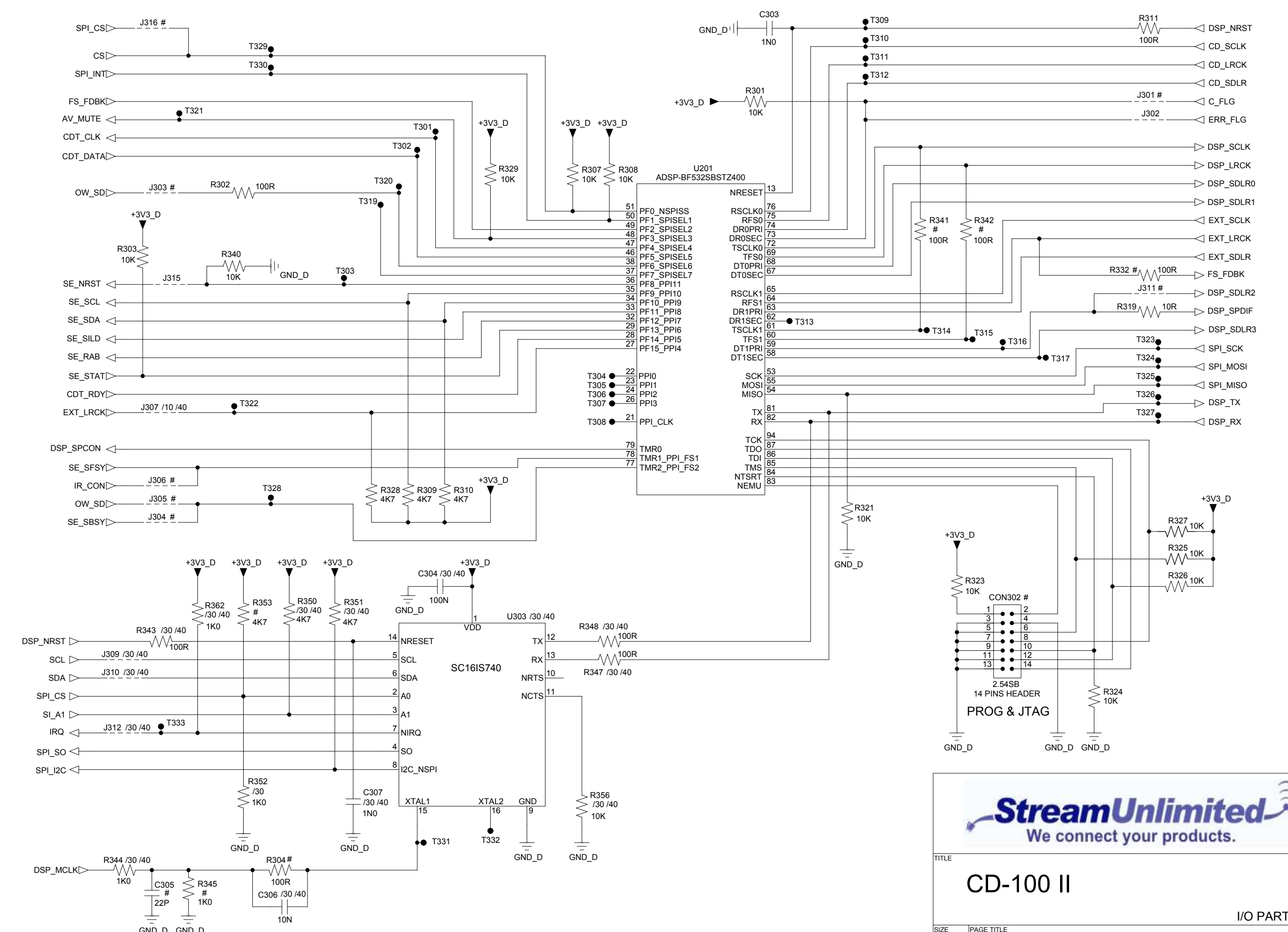


D

C

B

A



L2 FINAL 2009-05-20

STUFFING VERSIONS: see Sheet 6



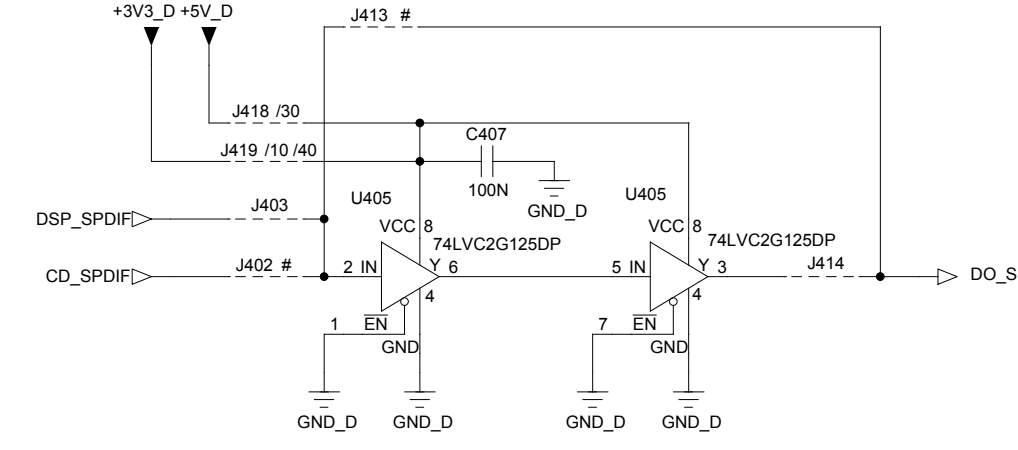
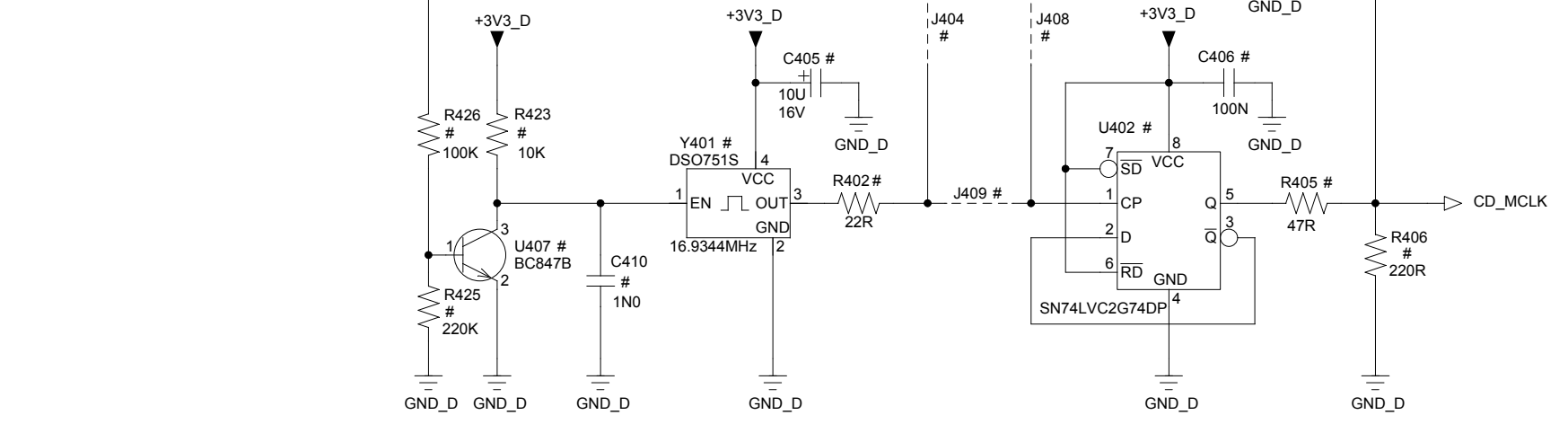
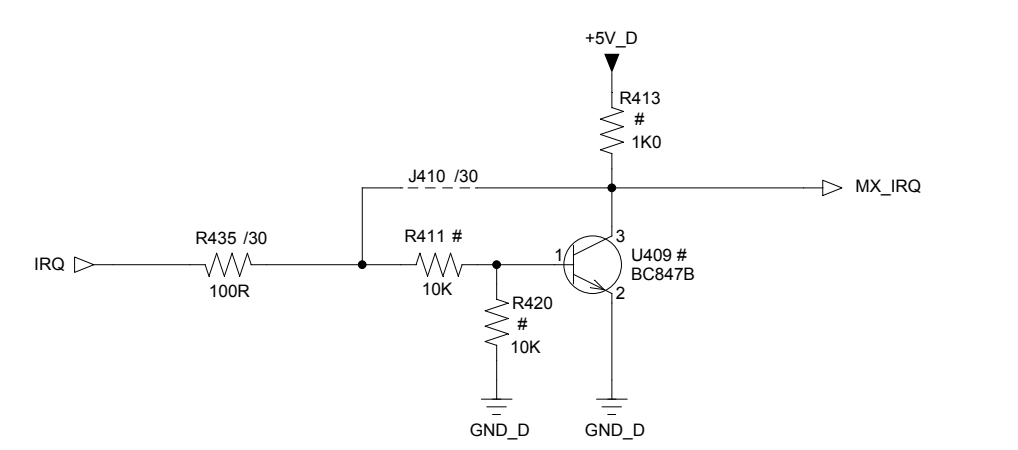
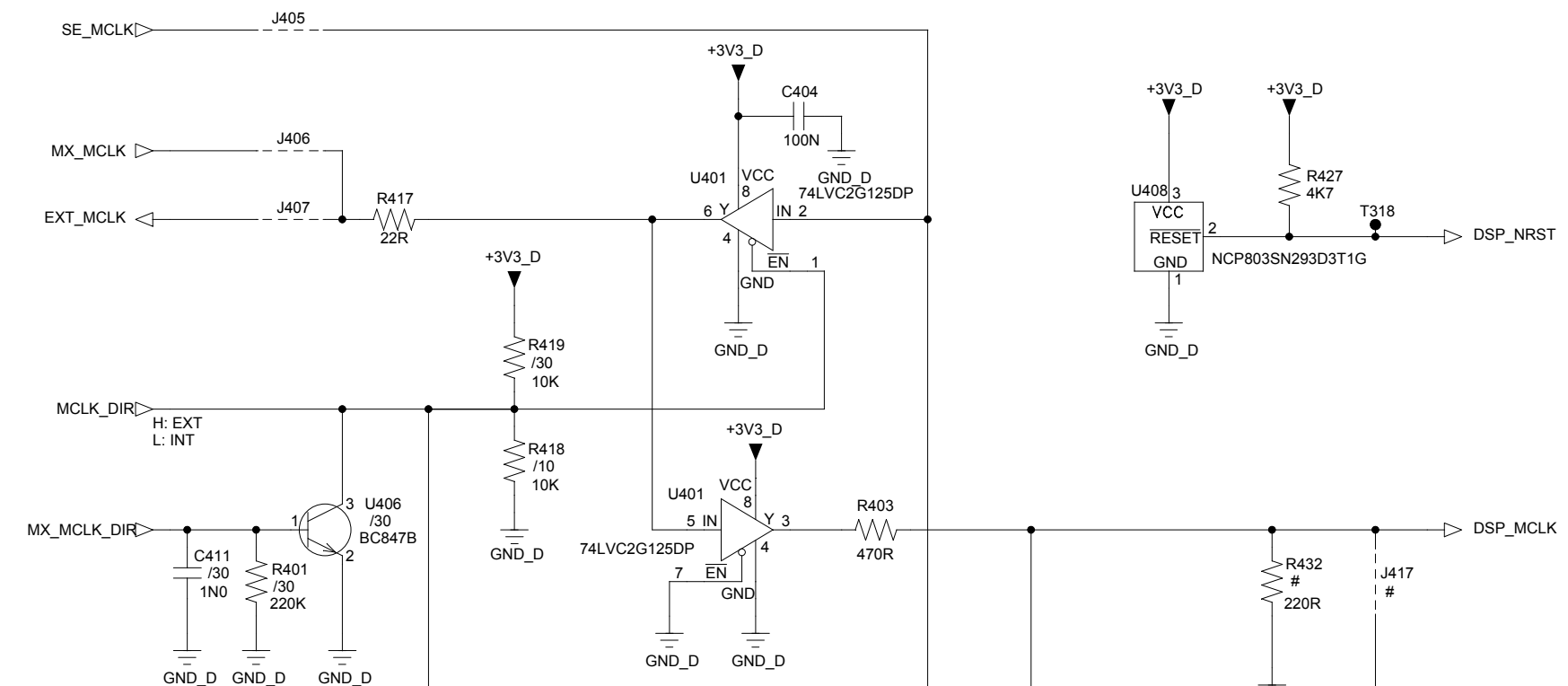
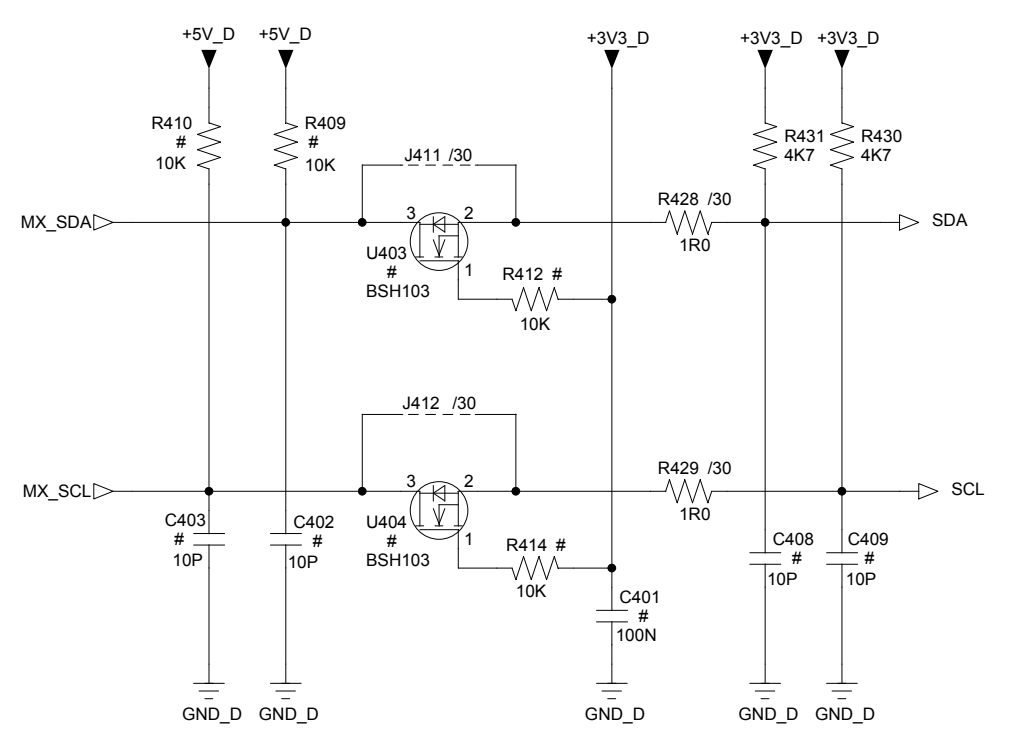
TITLE			CD-100 II		
I/O PART			0		
SIZE	PAGE TITLE		SHEET		REV
A3			3 of 6		0
DRAWN BY		SCALE		SHEET	
G. KLUSACEK				3 of 6	
5-20-2009 10:34					

D

C

B

A

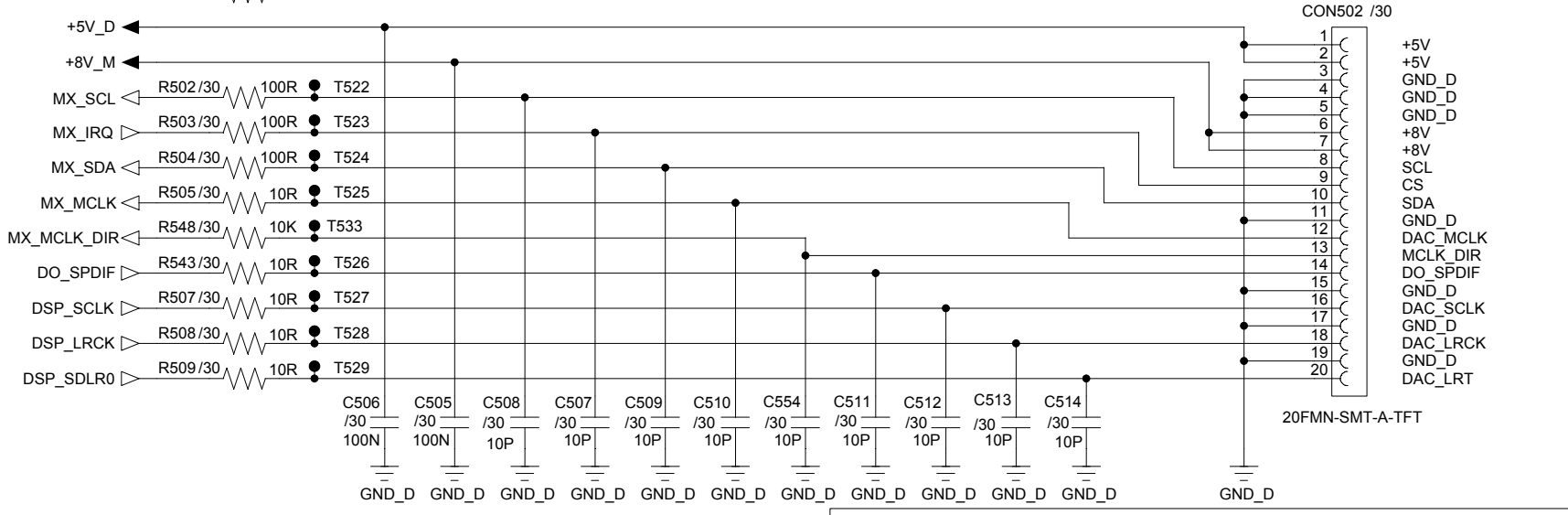
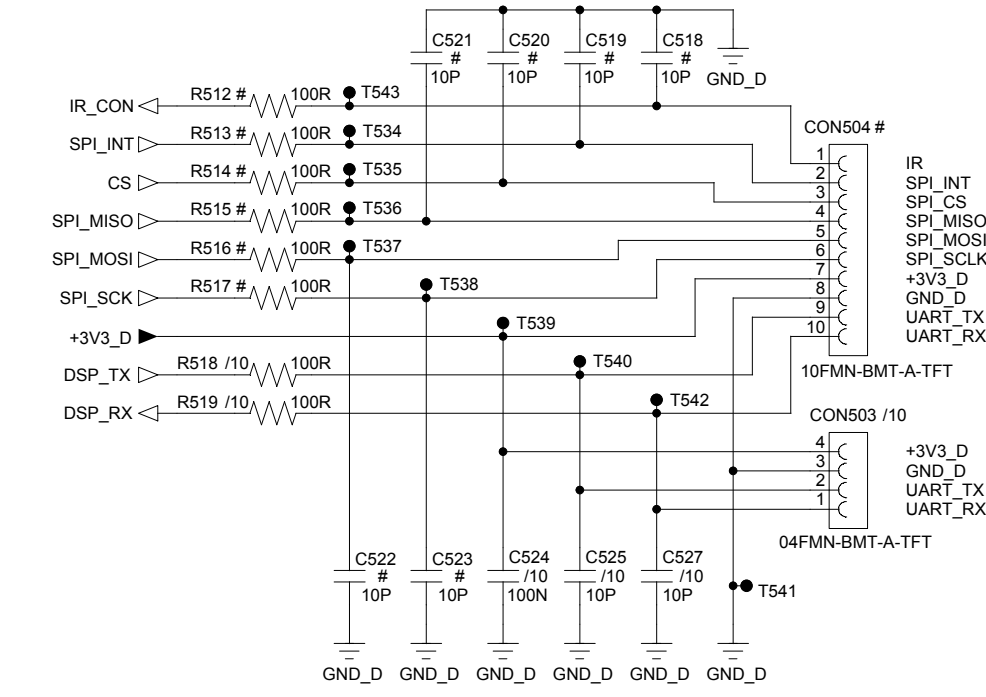
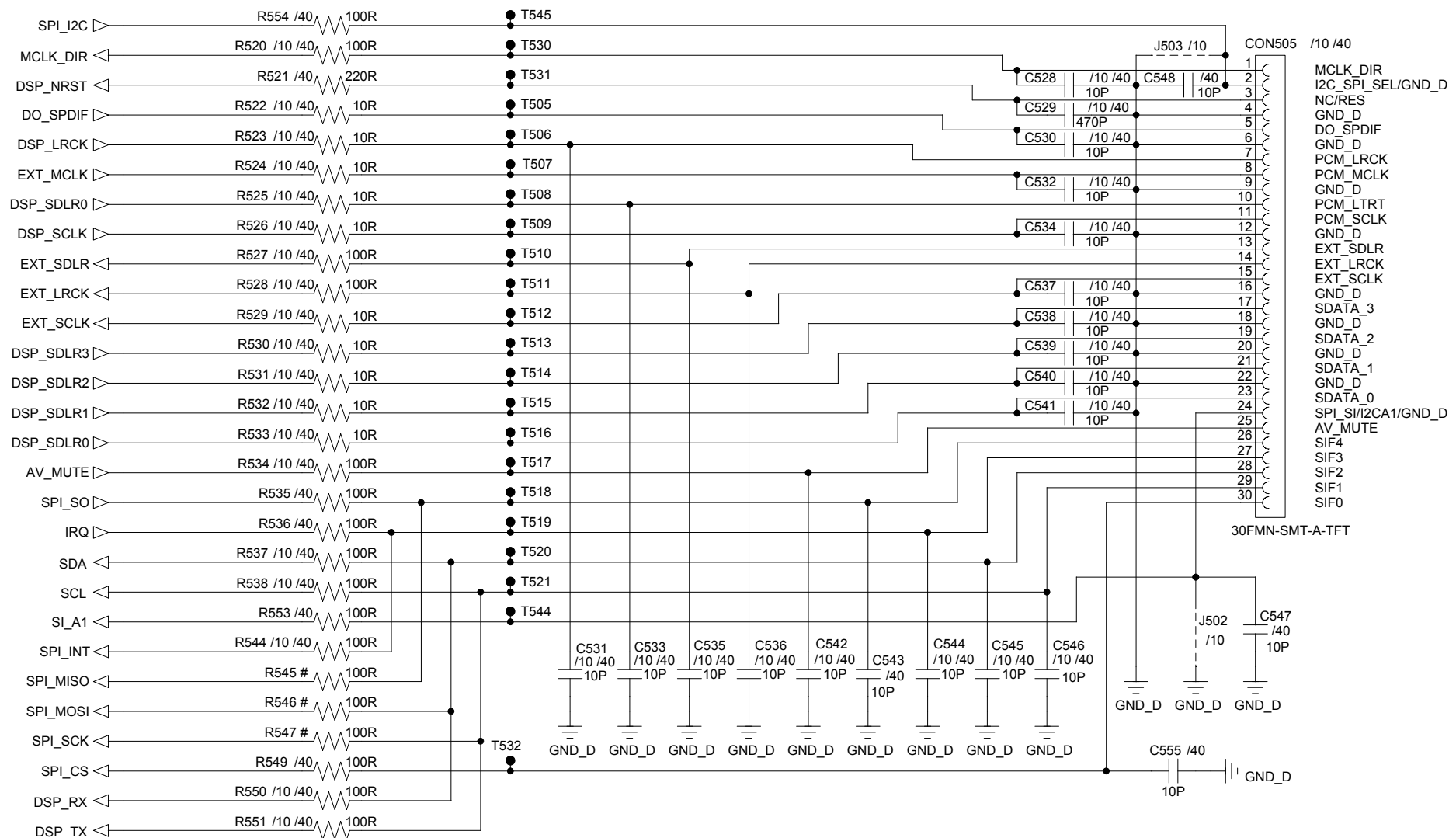
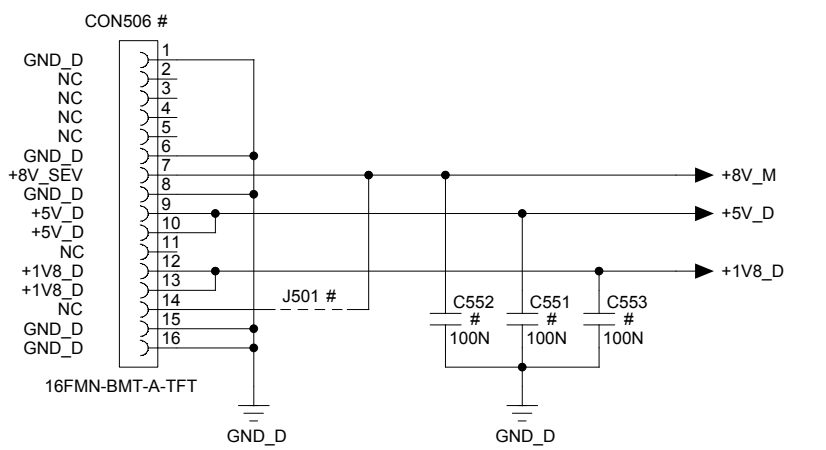
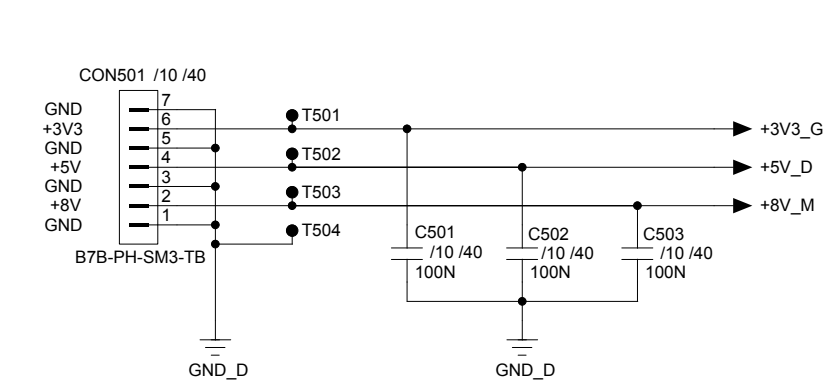


TITLE		
CD-100 II		
OSCILLATOR AND CONVERTER PART		
SIZE	PAGE TITLE	REV
A3		0
SCALE	SHEET	of
	4	6
5-20-2009 10:34		

L2 FINAL 2009-05-20

STUFFING VERSIONS: see Sheet 6

DRAWN BY
G. KLUSACEK



TITLE

CD-100 II

CONNECTORS PART

SIZE	PAGE TITLE	REV
A3		0
SCALE	SHEET	of
	5	6

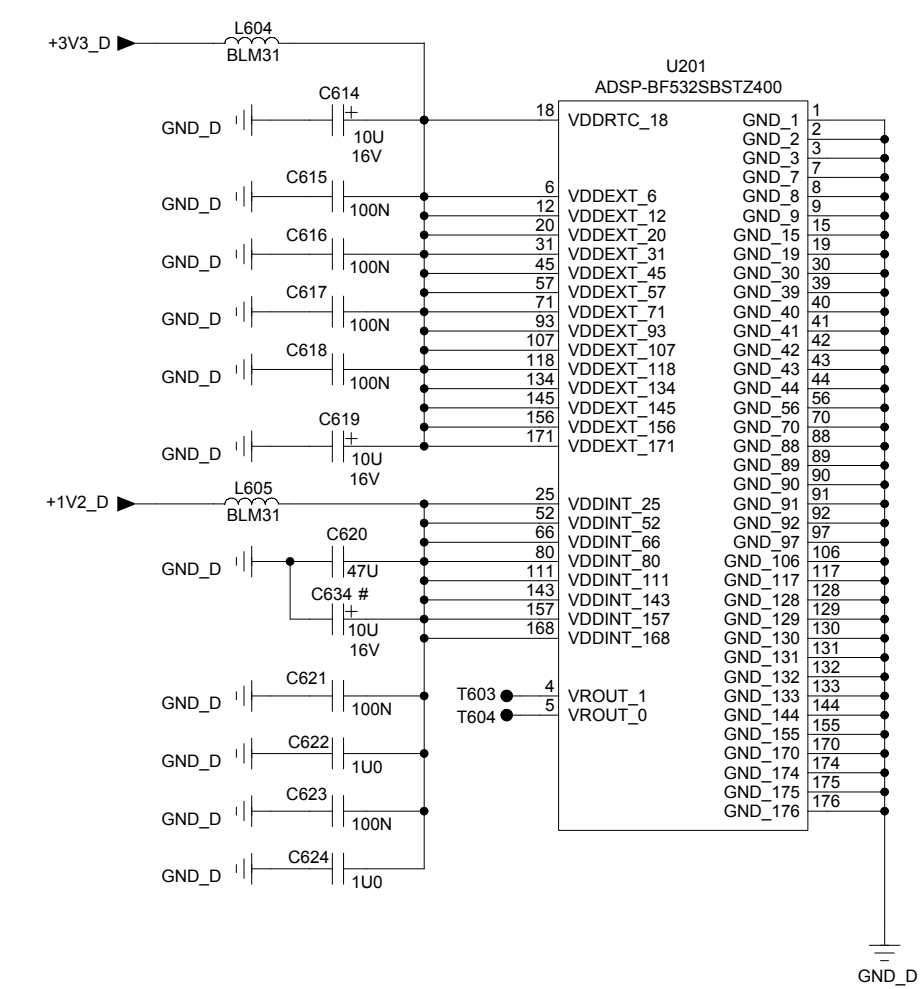
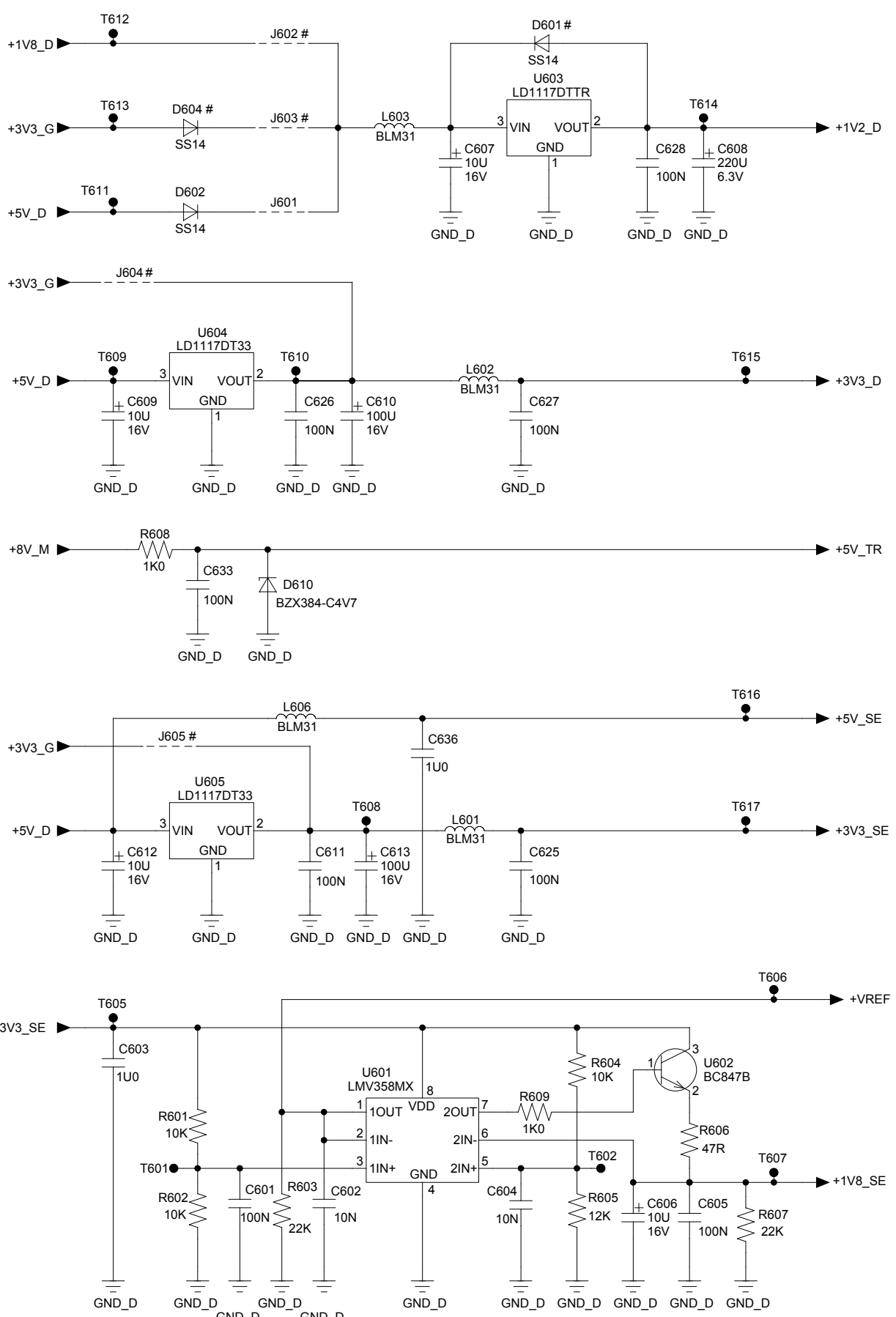
6 5 4 3 2 1

D

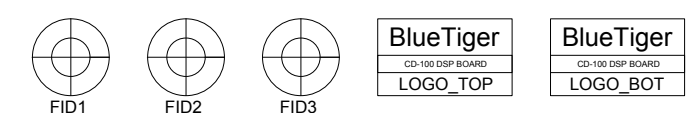
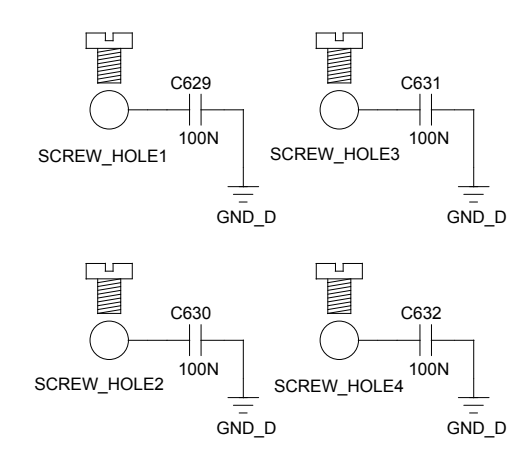
C

B

A



STUFFING VERSIONS			
/10	DVD mechanism	UART control	30pin external connector
/30	CD only mechanism	I2C control	20pin external connector
/40	DVD mechanism	SPI/I2C control	30pin external connector
#	component not stuffed		



TITLE			
CD-100 II			
POWER SUPPLY PART			
SIZE	PAGE TITLE	REV	
A3		0	
DRAWN BY	SCALE	SHEET	of
G. KLUSACEK		6	6

L2 FINAL 2009-05-20

5-20-2009 10:34

6 5 4 3 2 1