

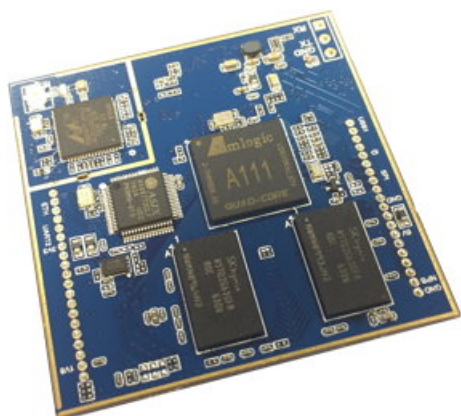


Stream770

Low Cost Module

StreamUnlimited's new Stream770 is a low cost, versatile module for a variety of wireless applications, including Chromecast built-in, Wi-Fi speakers and voice controlled products. Clients have the option to use the customizable standard StreamSDK or the dedicated StreamSDK *Join* build which features Apple's AirPlay, Chromecast built-in, Spotify Connect and UPnP. Products can be quickly developed with the StreamUnlimited Reference kit and easily customized using a small host controller for buttons, LED's, etc. Further control options via mobile App and WebUI are also available.

The Stream770 module provides ample headroom for future extensions with its powerful quad core processor.



Typical Product Applications

- Low cost Wi-Fi speakers
- Multiroom speakers
- Voice controlled personal assistants
- Wi-Fi IoT applications

StreamSDK *Join*

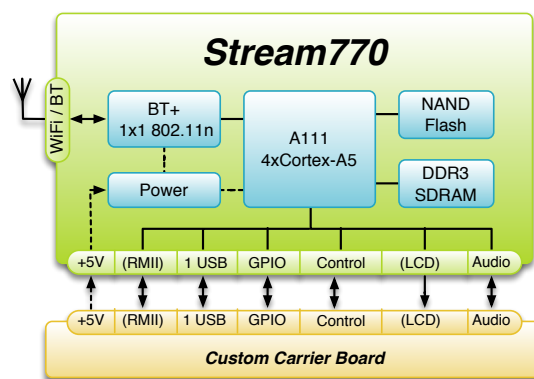
- Reduce product time to market
- Includes Chromecast built-in, AirPlay, Spotify Connect, UPnP
- Ideal partner to the low cost Stream770 module

Features and Benefits

- Powerful 1.2GHz ARM Cortex A5 quad core SoC
- 1x1 802.11a/b/g/n dual band Wi-Fi
- Bluetooth BT 4.2 with BLE support
- Ethernet (optional)
- Digital microphone input (I²S) for voice
- UPnP/DLNA support, USB interface
- MIPI display interface (optional)
- Full Chromecast built-in, Apple AirPlay and Spotify Connect support (pre-certified)
- HD audio support up to 192kHz/24bit
- 5V Single supply, suitable for battery operation
- Small footprint
- Pre-certified for Bluetooth and FCC/IC
- Prepared for CE and Wi-Fi certifications
- Ready-to-use proven product quality firmware

Reference Kit

- All interfaces needed to build a network audio streaming product
- Compatible with Stream770 and Stream810 modules
- Host Microcontroller implements StreamSDK Hostlink protocol for interfacing with the module
- Schematics / Source Code / Full documentation / Design Files and Engineering support available



() ...optional

