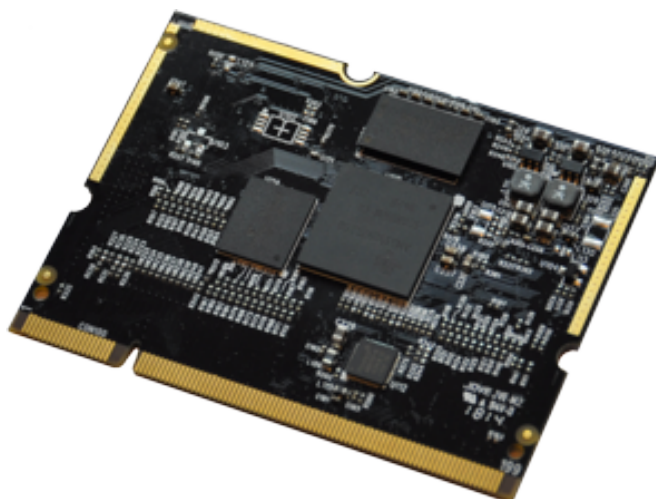


Stream820

HW module for High End Connectivity and Streaming

The versatile Stream820 module is the ideal base for your next generation high end streaming product. Control can be done via local keys, remote control, smartphone apps or simply using the included web based user interface. Your product will be able to process all popular high resolution formats. The quality of the sound benefits from the ultra low jitter digital output which is provided by the streaming module to your digital to analog converter. The 1 GHz Cortex-A8 CPU provides sufficient processing power to cope with future applications. 4Gb RAM and 4Gb Flash memory allow direct storage of playlists and improved data caching for faster browsing and extended audio buffers.



Possible Product Variations

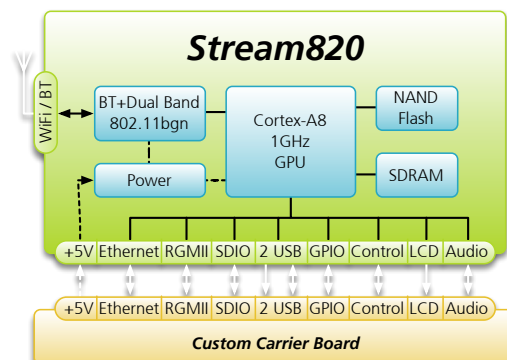
- High end audio streaming clients
- Preamplifiers or amplifiers with streaming functionality
- All in one high end streamer and server product
- Audio/Video receivers
- High end active loudspeakers with integrated streaming functionality

General Benefits

- Reduced development costs and time-to-market
- Simple to customize
- Module is in production / reference carrier board is available
- Different configuration options available
- Design-in support and customization services available
- Long term availability and maintenance provided by StreamUnlimited
- Smart Phone/Tablet control apps available
- Long availability of the module due to strong key component life cycle management.

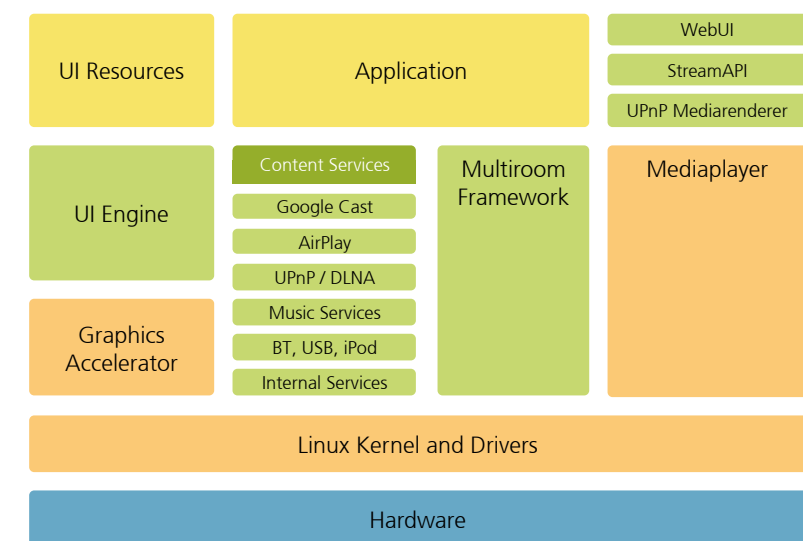
Features

- UPnP/DLNA/USB/Bluetooth support for local content
- Support of various online music services
- Playback of HD formats up to 384kHz/24Bit
- DSD support (DOP, DSF)
- Control via iOS or Android App or web user interface
- External audio clock support
- Host controller interface for keys, remote control, power management and tunneling of custom commands from App to front controller



Online Services

- Airable, Spotify, Tidal
- Other services on request
- Framework for rapid integration



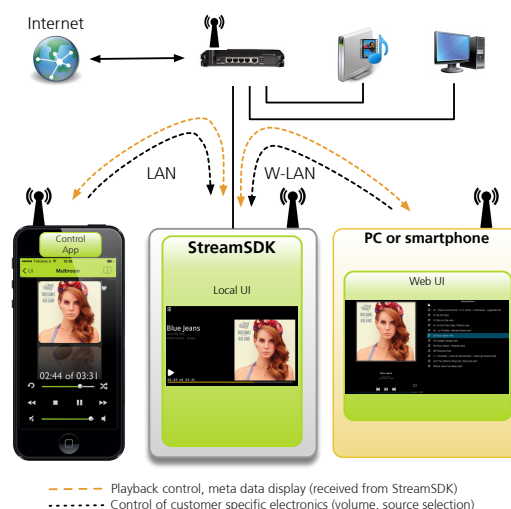
SW Architecture

- Engineered from scratch to meet all requirements of next generation audio streaming clients
- Modular design - high flexibility
- Unified API for all content services
- Mediaplayer based on GStreamer
- UI engine allows easy customizations
- Highly portable SW stack
- Continuous quality control of all core SW components/ automated tests
- Full documentation is available
- Popular operating system - widely known

StreamUnlimited is an integrated embedded engineering house focusing on innovative and quality products. We have high level competences in Connectivity and User Interface Technology, powered by a strong background in Audio and Video. We provide development and integration services to our customers. StreamUnlimited also offers a range of fully featured digital modules.

Interfaces/Connectivity

- SO-DIMM 200 board edge connector
- Wi-Fi 802.11b/g/n (dual band, WoWLAN)
- Bluetooth
- Ethernet 10/100 Mbit/s (WoLAN)
- RGMII for 2nd Ethernet or alternative Wi-Fi
- SDIO interface (SD card, alt. Wi-Fi, etc.)
- 2x USB 2.0 (1x OTG) with iPod digital audio
- GPIOs, LCD
- Control interface to carrier board (I²C, SPI)
- Digital audio interfaces (I²S, SPDIF)



Options for Control

- Local user interface
- Smart Phone App using StreamConLib (iOS, Android)
- Web user interface

