

## With Google Cast (latest approved version for MRT testing)

Wi-Fi & Bluetooth antennas

Infineon XENSIV™ MEMS microphones IM69D130 (Voice or non-voice option)

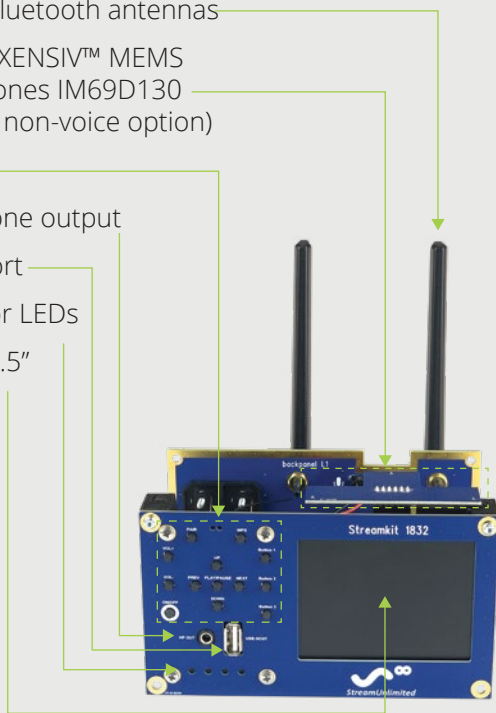
Buttons

Headphone output

USB A port

Multicolor LEDs

Display 3.5"



Infineon MERUS™ class-D audio amplifier MA12040

Loudspeaker terminals

Microphone mute button

Power 18V / 3.33A (60W Max)

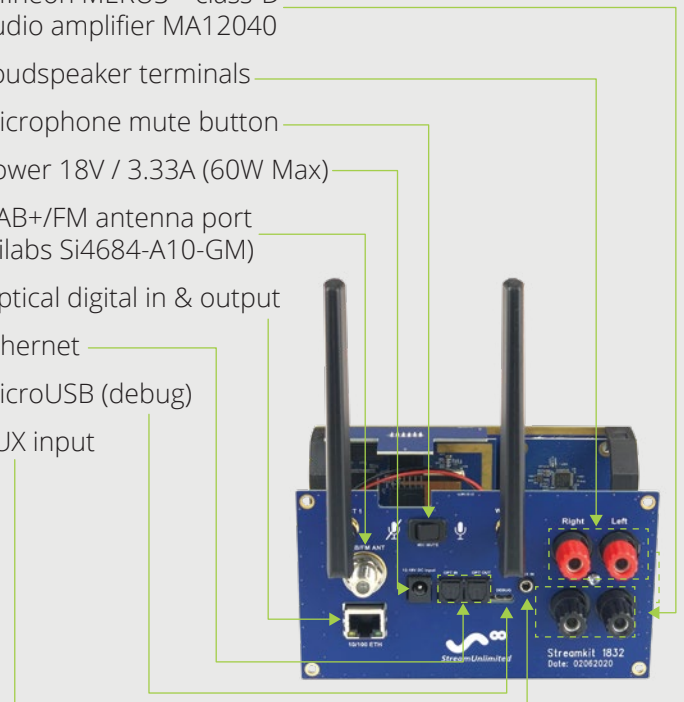
DAB+/FM antenna port (Silabs Si4684-A10-GM)

Optical digital in & output

Ethernet

MicroUSB (debug)

AUX input



## Reduce your time to market and development effort!

### Stream1832 Module Features

- ▶ 4 x ARM Cortex-A53 SoC
- ▶ Wifi 802.11ac 1x1 with Antenna Diversity
- ▶ Bluetooth / USB
- ▶ Compatible with all common audio formats
- ▶ UPnP / DLNA
- ▶ Multi-room playback capability
- ▶ Compatible with MEMS microphones (PDM)
- ▶ Voice assistant support without DSP

### Potential Applications

- ▶ DAB+ / FM connected radio devices
- ▶ Streaming audio receivers
- ▶ Wireless streaming speakers
- ▶ Smart speakers with voice assistant
- ▶ Home automation products
- ▶ Wi-Fi IoT devices

**StreamUnlimited**, founded in 2005, is a supplier of software solutions and hardware modules for connected audio and IoT products, with over 120 employees at office locations in Vienna, Bratislava, Shenzhen, Osaka and San Francisco. As the de facto global system integrator offering its own IP and engineering services, StreamUnlimited development partnerships include all major semiconductor companies and technology providers in the consumer electronics and IoT channel. StreamUnlimited works with a global cross-section of high-end audio, CEDIA-channel, premium and mainstream consumer electronics and smart home manufacturers.



StreamUnlimited Engineering GmbH  
 Gutheil-Schoder-Gasse 10, 1100 Vienna, Austria  
 E-mail: sales@streamunlimited.com  
 Website: www.StreamUnlimited.com

Copyright 2024 StreamUnlimited. All rights reserved. Reproduction in whole or in part is prohibited without the prior consent of the copyright owner. The information presented in this document does not form part of any quotation or contract, and is believed to be accurate but may be changed without notice. No liability will be accepted by the publisher for any consequence of its use. All trademarks included herein are the property of their respective owners.